

Weights

Operating weight with ROPS canopy, rubber tracks, counterweight and bucket:	2441 kg
Additional weight for cab with heating	130 kg
Additional weight for long dipperstick	10 kg
Additional weight for counter weight	183 kg
Ground pressure with rubber tracks	30.20 kPa

Engine

Make / model	Kubota / D1105-E2B-BCZ-2
Fuel	Diesel
Number of cylinders	3
Displacement	1123 cm ³
Maximum NET power (ISO 9249)	13.3 kW
Maximum NET torque (ISO 9249)	65.8 Nm

Performance

Digging force, dipperstick (ISO 6015)	15800 N
Digging force, long dipperstick (ISO 6015)	13200 N
Digging force, bucket (ISO 6015)	22200 N
Drawbar pull	30200 N
Travel speed, low range	2.4 km/h
Travel speed, high range	4.6 km/h

Hydraulic System

Pump type	Dual outlet variable displacement piston pump with gear pumps
Piston pump capacity	28.80 L/min
Auxiliary flow	48.00 L/min
Auxiliary relief	180.0 bar

Slew System

Boom swing, left	60.0°
Boom swing, right	60.0°
Slew rate	9.3 RPM

Fluid Capacities

Cooling system	4.60 L
Engine lubrication plus oil filter	5.10 L
Fuel reservoir	34.60 L
Hydraulic system	25.00 L

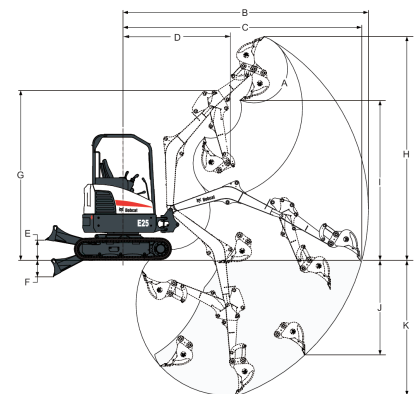
Environmental

Noise level LpA(EU Directive 2006/42/EC)	77 dB(A)
Noise level LWA(EU Directive 2000/14/EC)	93 dB(A)
Whole body vibration (ISO 2631-1)	0.40 ms ⁻²
Hand-arm vibration (ISO 5349-1)	1.57 ms ⁻²

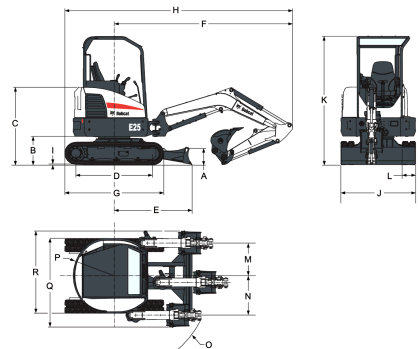
Standard Features

1400 mm dozer blade	Horn
250 mm rubber track	Hydraulic joystick controls
Double acting auxiliary hydraulics	Seat
Clamp ready	Retractable seat belt
Control console locks	TOPS/ROPS* canopy ¹
Cupholder	Two-speed travel
Engine/hydraulic monitor with shutdown	Work lights (boom and upperstructure)
Fingertip auxiliary hydraulic control	Warranty: 12 months, 2000 hours (whichever occurs first)

1. Roll Over Protective Structure (ROPS) – Meets requirements of ISO 3471. Tip Over Protective Structure (TOPS) – Meets requirements of ISO 12117.

Working Range


(A)	185.0°	(G)	3246.0 mm
(B)	4678.0 mm	(H)	4272.0 mm
(B*)	4966.0 mm	(H*)	4473.0 mm
(C)	4553.0 mm	(I)	3057.0 mm
(C*)	4850.0 mm	(I*)	3258.0 mm
(D)	2132.0 mm	(J)	1809.0 mm
(D*)	2135.0 mm	(J*)	2078.0 mm
(E)	385.0 mm	(K)	2582.0 mm
(F)	315.0 mm	(K*)	2890.0 mm

Dimensions


(A)	330.0 mm	(K)	2412.0 mm
(B)	536.0 mm	(L)	250.0 mm
(C)	1456.0 mm	(M)	614.0 mm
(D)	1437.0 mm	(N)	735.0 mm
(E)	1462.0 mm	(O)	1661.0 mm
(F)	3347.0 mm	(P)	770.0 mm
(G)	1859.0 mm	(P*)	840.0 mm
(H)	4276.0 mm	(Q)	1660.0 mm
(I)	25.0 mm	(R)	1539.0 mm
(J)	1400.0 mm		

Options

Auxiliary hydraulic line on arm	Travel motion alarm
Keyless start	Direct return to tank
Auto idle	Long dipperstick with extra counterweight
TOPS/ROPS cab with heater	AM/FM stereo radio
2nd Auxiliary hydraulics	FOGS kit (Overhead guard)
Suspension seat (vinyl)	Beacon kit
Deluxe textile suspension seat	Left and right mirror kit
Boom safety valve	Additional work light kit
Boom & arm safety valves	Fuel filter with transparent water separator