

Weights

Operating weight with standard bucket, excluding operator	1138 kg
Ground pressure	28.80 kPa

Engine

Make / model	Kubota / D722-E2B-BCZ-6 (TIER2)
Fuel	Diesel
Number of cylinders	3
Displacement	0.72 L
Maximum NET power (ISO 9249)	7.4 kW
Maximum NET torque (ISO 9249)	39.1 Nm

Performance

Digging force, dipperstick (ISO 6015)	5550 N
Digging force, bucket (ISO 6015)	8294 N
Drawbar pull	9905 N
Travel speed	2.1 km/h

Hydraulic System

Pump type	Double gear pump
Pump capacity	20.00 L/min
Auxiliary flow	20.00 L/min
Auxiliary relief	185.0 bar
Relief pressure for implement circuit	185.0 bar

Slew System

Boom swing, left	70.0°
Boom swing, right	70.0°
Slew rate	9.0 RPM

Fluid Capacities

Cooling system	3.00 L
Engine lubrication plus oil filter	3.50 L
Fuel reservoir	16.00 L
Hydraulic system	9.40 L

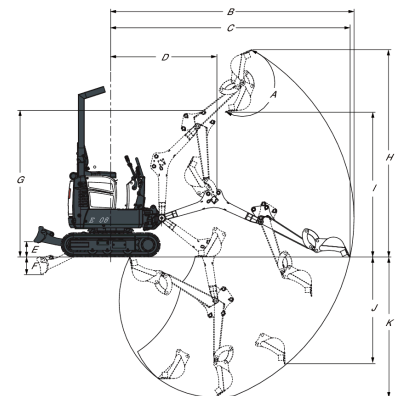
Environmental

Noise level LpA(EU Directive 2006/42/EC)	80 dB(A)
Noise level LWA(EU Directive 2000/14/EC)	93 dB(A)

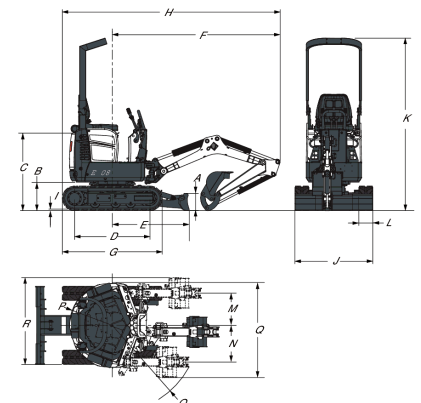
Standard Features

710 mm dozer blade / 1000 mm extended	Retractable seat belt
180 mm rubber track	Seat
Auxiliary hydraulics	TOPS canopy ¹
Control console locks	Vandalism protection
Horn	Work lights
Hydraulically expandible undercarriage from 710 to 1000 mm	Warranty: 12 months, 2000 hours (whichever occurs first)

1. Tip Over Protective Structure (TOPS) – Meets requirements of ISO 12117

Working Range


(A)	196.0°	(G)	1899.0 mm
(B)	3145.0 mm	(H)	2685.0 mm
(C)	3093.0 mm	(I)	1818.0 mm
(D)	1374.0 mm	(J)	1383.0 mm
(E)	196.0 mm	(K)	1820.0 mm
(F)	230.0 mm		

Dimensions


(A)	220.0 mm	(J)	1000.0 mm
(B)	363.0 mm	(K)	2209.0 mm
(C)	992.0 mm	(L)	180.0 mm
(D)	968.0 mm	(M)	413.0 mm
(E)	987.0 mm	(N)	471.0 mm
(F)	2153.0 mm	(O)	1121.0 mm
(G)	1280.0 mm	(P)	550.0 mm
(H)	2793.0 mm	(Q)	1220.0 mm
(I)	16.0 mm	(R)	1163.0 mm
(J)	710.0 mm		

Options

Auxiliary double action	Keyless start
Auxiliary quick coupler	Travel motion alarm
Beacon kit	Strobe
Demolition kit	Spark arrester muffler